

CATEGORY	DESCRIPTION	P/N #
CONNECTOR	MiniDIN 4 Pins V/A	2MD11V-110X3-XX04

PART NO.:

2MD11V-110X3-XX04

Color scheme

xx	Housing
00	black

REV.	ECN NO	DESCRIPTION	REVISED	DATE
A2	ECN071227001	修改錯誤視圖, 增加D/C	jiangwei	2007.12.27
A3	ECN080307002	Update material	JXM	2008.03.07

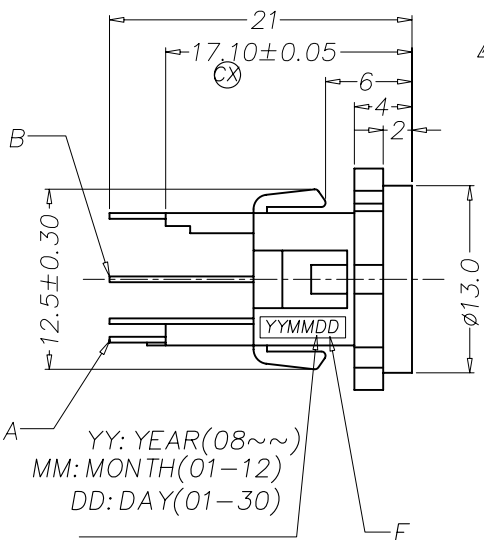
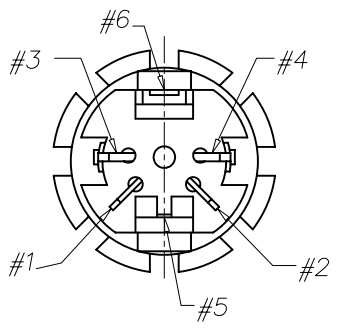
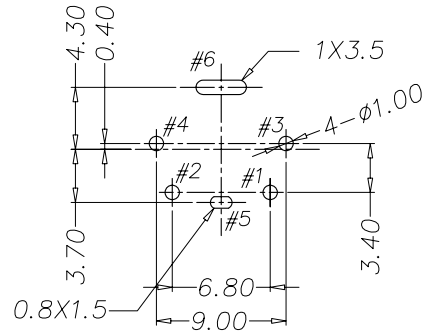
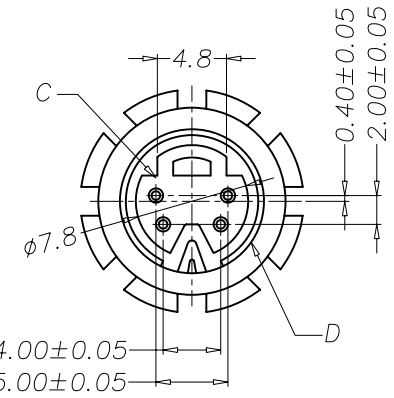
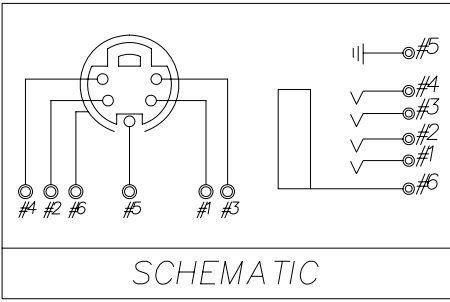


TABLE 1

x	Material
6	PBT UL94V-0
A	PBT(Halogen free)



Recommend PCB Layout  
(Jack Top View)  
Tolerance: ±0.05mm  
Recommend PCB Thickness: 1.6mm



- MINIDIN SPECIFICATION:
- Voltage and Current Rating: DC 12V & 1.0A
  - Contact resistance
    - Initial, before life cycle test:
      - Pin to Contact: 30m Ω MAX.
      - Plug Shield to Contactor: 50m Ω MAX.
    - After life cycle test:
      - Pin to Contact: 60m Ω MAX.
      - Plug Shield to Contactor: 100m Ω MAX.
  - Insulation resistance between any adjacent opent contacts: 50MΩ @ DC250V MIN.
  - Dielectric Strength: A potential of 250V AC RMS, 50/60Hz shall be applied, between any open contacts for one minute without broken.
  - Insertion force: 4.5Kgf MAX.
  - Withdraw force: 0.3kgf MIN.
  - Single Contact Maintenance Force: 20gf MIN. between each contact and matching pin (0.57~0.60 Dia.)
  - Life Cycle Test: Shall be subject to 1,500 cycles at 10~20 cycles per minute with no electrical load.
  - "⊗" is important dimensions

TABLE 2

PART NAME	PART NUMBER	MATERIAL
Housing	1HS-MD1100-00	PBT UL94V-0
	1HS-MD1100-A00	PBT(Halogen free)

**Product Drawing**  
**TERAPRO Technology Co., LTD.**

NO.	PART NAME	Q'TY	PART NUMBER	MATERIAL	PLATING & COLOR	Remark
E	INK	1		Domino IR-270BK & MC-270BK	Black	
D	Ground Contact	1	1TM-MD1102-00	Phosphor Bronze, t=0.4mm(QSn6.5-0.1)	Cu/Sn Plating(80u")	
C	Housing	1	See table 2	See table 1	Black	
B	Center Terminal#1,2,3,4	4	1TM-MD1101-00	Phosphor Bronze, t=0.4mm(QSn6.5-0.1)	Ag Plating(6-14u")	
A	Earth Terminal#5	1	1TM-MD1100-00	Phosphor Bronze, t=0.2mm(QSn6.5-0.1)	Ag Plating(6-14u")	

UNLESS OTHERWISE SPECIFIED TOLERANCES		SCALE: 1/1	UNIT: mm	⊕ ⊖	DWG.NO:
		SIZE: A3	PAGE: 1 OF 1	REV: A3	WI-061-035
DECIMALS:	ANGLES:	AUTHORIZED BY	APPROVED BY	CHECKED BY	PREPARED BY
X : ±0.3	X : ±1°	RYAN	GG	WYX	JXM
X.X : ±0.2	X.X : ±0.5°				
X.XX : ±0.1					
X.XXX : ±0.05					

**ENGINEERING COPY**

4	3	2	1
CATEGORY	DESCRIPTION	P/N #	
CONNECTOR	MiniDIN 4 Pins V/A	2MD11V-110X3-XX04	

PART NO.:

2MD11V-110X3-XX04

4 PIN Color scheme	
xx	Housing
00	black

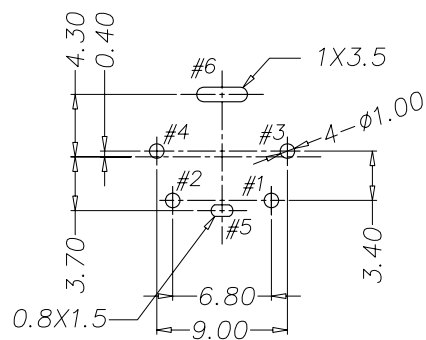
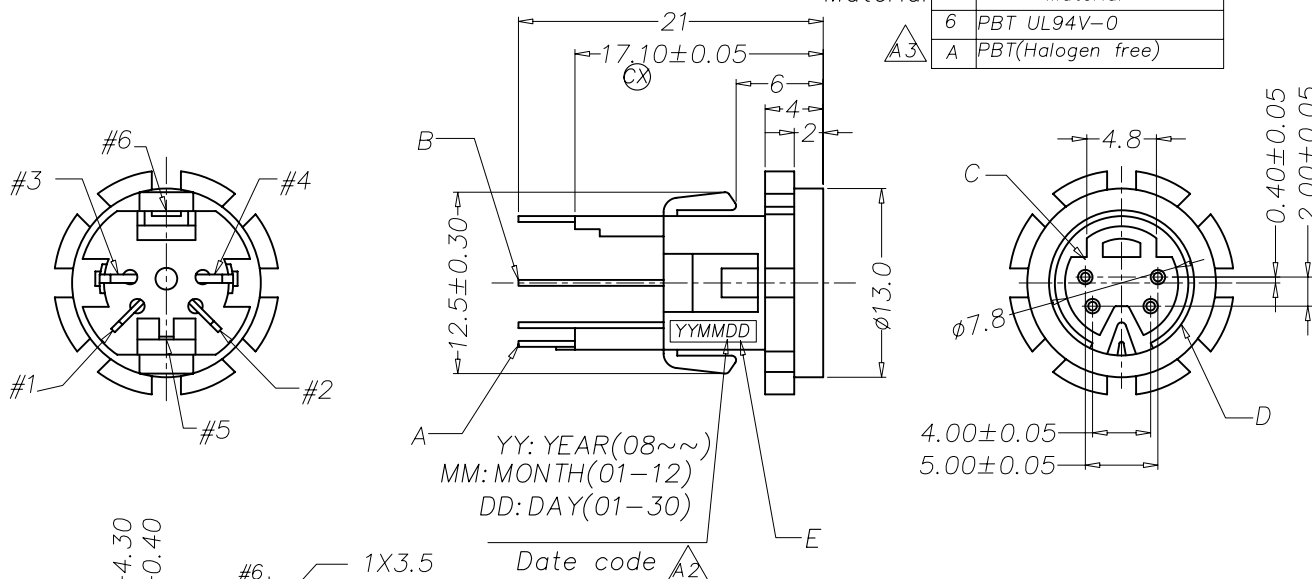
REV.	ECN NO	DESCRIPTION	REVISED	DATE
A2	ECN071227001	修改錯誤視圖, 增加D/C	jiangwei	2007.12.27
A3	ECN080307002	Update material	JXM	2008.03.07

MINIDIN SPECIFICATION:

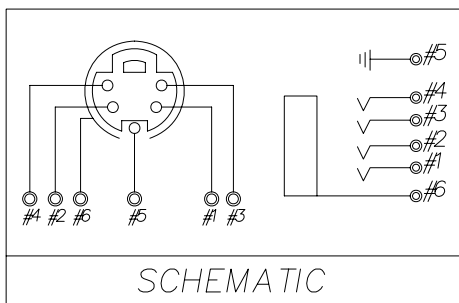
- Voltage and Current Rating: DC 12V & 1.0A
- Contact resistance
  - Initial, before life cycle test:
    - 2.1.1 Pin to Contact: 30m ΩMAX.
    - 2.1.2 Plug Shield to Contactor: 50m ΩMAX.
  - After life cycle test:
    - 2.1.1 Pin to Contact: 60m ΩMAX.
    - 2.1.2 Plug Shield to Contactor: 100m
- Insulation resistance(between any adjacent opent contacts: 50MΩ @ DC250V MIN.
- Dielectric Strength: A potential of 250V AC RMS, 50/60Hz shall be applied, between any open contacts for one minute without broken.
- Insertion force: 4.5Kgf MAX.
- Withdraw force: 0.3kgf MIN.
- Single Contact Maintenance Force: 20gf MIN. between each contact and matching pin (0.57~0.60 Dia.)
- Life Cycle Test: Shall be subject to 1,500 cycles at 10~20 cycles per minute with no electrical load.

TABLE 1

x	Material
6	PBT UL94V-0
A	PBT(Halogen free)



Recommend PCB Layout  
(Jack Top View)  
Tolerance: ±0.05mm  
Recommend PCB Thickness: 1.6mm



NO.	PART NAME	Q'TY	MATERIAL	PLATING & COLOR	REMARK
E	INK	1	Domino IR-270BK & MC-270BK	Black	
D	Ground Contact	1	Phosphor Bronze, t=0.4mm	Cu/Sn Plating	
C	Housing	1	See table 1	Black	
B	Center Terminal#1,2,3,4	4	Phosphor Bronze, t=0.4mm	Ag Plating	
A	Earth Terminal#5	1	Phosphor Bronze, t=0.2mm	Ag Plating	

UNLESS OTHERWISE SPECIFIED TOLERANCES	
DECIMALS:	ANGLES:
X : ±0.5	X : ±1°
X.X : ±0.3	X.X : ±0.5°
X.XX : ±0.2	
X.XXX : ±0.1	

**Product Drawing**  
**TERAPRO Technology Co., LTD.**

SCALE: 1/1	UNIT: mm	DWG.NO: WI-061-035	
SIZE: A3	PAGE: 1 OF 1	REV: A3	
AUTHORIZED BY	APPROVED BY	CHECKED BY	PREPARED BY
RYAN	GG	WYX	JXM

**CUSTOMER COPY**